

LG Plasma Flood

1000W comparable to 2000W HID

Super-efficient plasma technology

Light level unchanged for 50,000+ hours.



Powerful plasma light output

- 85,000 lumens output.

Higher lumens, longer

- Electrode-free lumen maintenance.
- Maintains brightness for 50,000+ hours.

Outstanding energy efficiency

- Reduces power usage by 50% compared to conventional lighting.

Rugged and weatherproof

- Resistant to shock and vibration.
- Rated IP54 for outdoor use.

High colour-rendering light

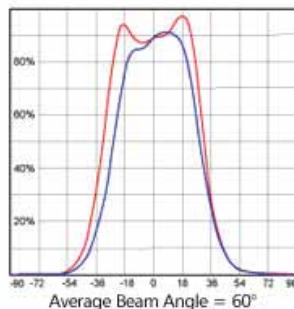
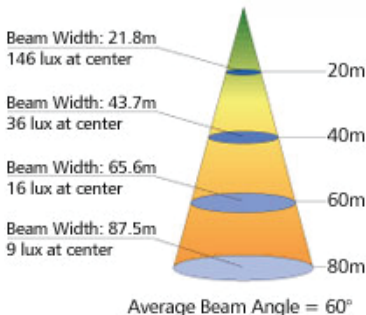
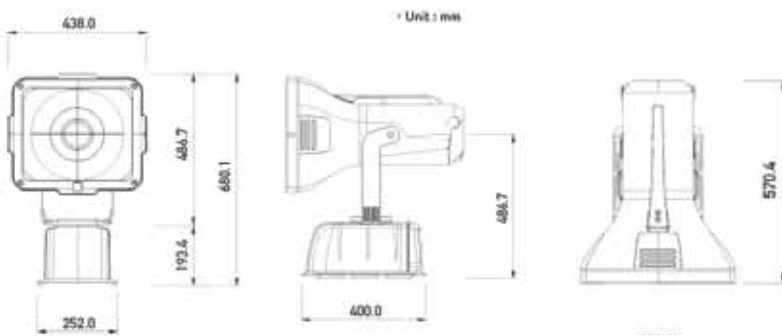
- Turns night into realistic daylight

Environmentally superior

- No mercury, no heavy metals in any part of lifecycle. [RoHS and WEEE.]



Full-spectrum light - the closest to true sunlight, without the UV!



Applications

- Powerful floodlighting for large carparks and substantial pedestrian areas
- Sporting fields, landscapes and large-scale architectural illumination

Technical parameters

Product code	PSF1032A
Power consumption	1030W
Metal halide equivalent	2000W
Lumen output	85,000
Input voltage	220/240V, 50/60Hz
Colour rendering index (CRI)	85Ra
Beam angle	60 degrees
Colour temperature	7500 °K
IP rating	IP 54
Service life	50,000+hours
Weight	22.0 kg

Tigerlight Pty Ltd
 Head Office / NSW sales
 Unit 3, 3 Vuko Place
 Warriewood, NSW 2102
 Ph: 02 9913 8800
 Fax: 02 9913 8876

Victoria / SA / Tas
Tigerlight SouthEast
 PO Box 505
 Black Rock, Vic 3193
 Ph: 03 9589 7818
 Fax: 03 9923 6836

Queensland
Tigerlight Qld
 3/40 Proprietary St
 Tingalpa, Qld 4173
 Ph: 0417 515 178
 Fax: 07 3319 6668

Western Australia
Tigerlight WA
 6/22 King Edward Rd
 Osborne Park, WA 6017
 Ph: 08 6365 5615
 Fax: 08 9204 1016

Northern Territory
Tigerlight NT
 Shed 17/33 Benison Rd
 Winnellie, NT 0820
 Ph: 0418 895 791
 Fax: 08 8918 8120

13001TIGER
 1300 184 437
www.tigerlight.com.au