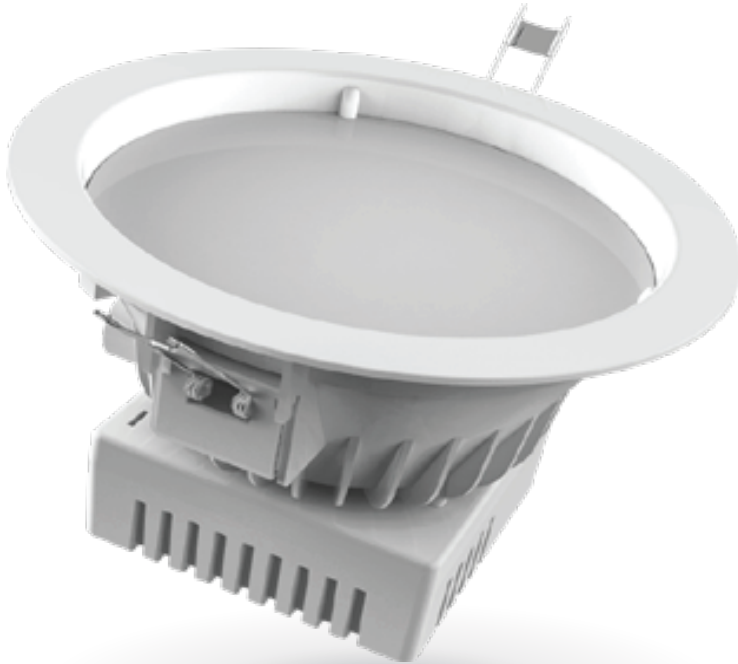


Tiger LED ShopFitter 24W Round Ceiling Light

Long lasting output of 1350-1800 lumens.
Comparable to 2x26W PL-C/PL-T compact fluoros,
cutting power costs by up to 40%.



Ideal for retrofitting existing retail and commercial installations

- LED delivers up to 40% energy savings compared to metal halide.

Far greater energy efficiency than halogen or compact fluoro lamps

- Reduces carbon footprint by up to 40%.
- No excessive heat output from LED.

Architectural finish

- Rugged diecast aluminium body, powder coated white, with PMMA diffuser.

Quality certification

- CE, C-TICK & ROHS approval.

Dependable long-life performance reduces maintenance

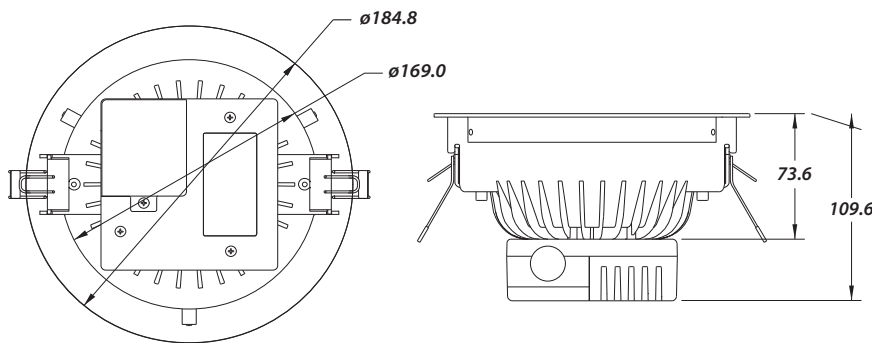
- Lifespan 35,000+ hours.

Safer for the environment

- Zero glass, mercury, toxic material.



Fully dimmable
- supported by leading/trailing edge phase cutting (triac) dimmer.



Fitting diameter: 185mm or 7.3 inches.
Cut-out diameter: 169mm or 6.6 inches.

Applications:

- Retail shopfitter lighting.
- Office, lobby and corridor lighting.

Power consumption	24W
LED type	Nichia
Input voltage	220-240V AC, 50/60Hz
CRI	70
Beam angle	78°
Size	D: 184.8mm H: 109.6mm
Cutout	169mm diameter
IP Rating	IP20
Colour temperature	Warm White, Cool White, Daylight
Lumen output	1350 - 1800 lumens
Product lifespan	35,000+ hours
Operating temperature	-20° to +40°C
Certification	CE, C-TICK & ROHS approval
Warranty	3 years
Hardware fitting	Diecast aluminium, powder coated white
Diffuser	PMMA
Dimmer supported	Leading/trailing edge phase cutting
Order code	SHOPFITTER3

